

KITE OPTICS 

APC 50

USER MANUAL

ENG

APC STABILIZED BINOCULARS

MANUAL AND WARRANTY

We thank you for purchasing a KITE OPTICS instrument.

1. Ocular lenses
2. Twist-up eyecup
3. Diopter ring
4. Eyepieces
5. Neck-strap passage way
6. On-off switch
7. Focus wheel
8. Objective lenses
9. Status LED light
10. Hand-strap passage way

SCOPE OF DELIVERY

- Neoprene Neck-strap
- Softcase with strap
- Ocular lens protection cover
- Objective lens protection cover
- Hand-strap
- USB-C charging cable (APC - Li-ion only)

GET SPARE PARTS

<https://parts.kiteoptics.com>



SAFETY

- Never look at the sun or an intense light source with this product. It will damage your eyes.
- Avoid using the device while walking to prevent overlooking obstacles.
- Protect the device from impacts.
- Do not use this product in a location where a flammable gas or explosive gas may be present in the air. It may lead to inflammation or an explosion.
- Do not use or store this product in a high-temperature location or in a car in mid-summer, at a window, next to a heating appliance.
- Do not leave exposed to direct sunlight. The lens may concentrate the sun's ray and cause internal heating of the instrument or fire.
- Be sure to read the instruction manual.
- Avoid using the device near powerful magnetic, electrostatic, or electromagnetic fields to prevent interference.
- Repairs must be conducted solely at authorized service centers, and attempts to dismantle or modify the device may cause damage, injury, or electric shock.
- Avoid exposing the device to insect repellents or aggressive chemicals; use only recommended cleaning agents.
- Keep the device out of reach of small children.
- Avoid touching glass surfaces with fingers, especially if hand creams or insect repellents have been applied, as these substances may contain chemicals harmful to coatings.
- Keep a record of the device's serial number for loss prevention.

BATTERY INSTRUCTION AND SAFETY

APC AA MODEL :

11. Battery covers
12. AA battery compartment

INSERTING THE BATTERIES (batteries not included)

Remove the battery covers on the left and right side by turning them anti-clockwise.
Insert 1 AA battery on each side. '-' side goes in first. close the battery covers by turning them clockwise.

- Always use AA Alkaline or Lithium batteries. DO NOT USE RECHARGABLE BATTERIES, this will void the warranty.
- KITE OPTICS advises the use of Lithium AA batteries over Alkaline batteries, for best battery life and low risk of battery leakage.
- Always turn off the switch after use. If you do not use the device for a long period of time, please remove and store the battery.
- In the unlikely event that liquid leaked from the battery gets into your eye, immediately wash it out with a plentiful amount of water and consult a doctor.
If it gets on your skin or clothes, wash them with water.
- Do not leave the batteries in the unit for a long time when not in use. The electrolyte solution in the battery may leak, damaging the unit.



STATUS LED

When switching on, the status LED light will inform you with the battery capacity :

Continuous green = 100 % - 30 %
Continuous orange blinking = < 30 % (low battery indicator)

APC - Li-ion MODEL

Fig3

13. USB-C charge port



This product incorporates a built-in rechargeable battery that cannot be replaced. When utilizing this product, consider the following precautions:
Cease use if the outer casing is damaged or if battery damage is suspected. In such instances, promptly contact our customer service to mitigate the risk of explosion and/or accidents.

Charge the device using the supplied USB cable and a suitable power source that adheres to local regulations or possesses FCC/CE/IC approval.

CHARGING:

Begin by connecting the USB charging cable to the USB-C port on the device.

Attach the opposite plug of the cable to a suitable USB power adapter with a minimum input of 1.5 A/5 V for optimal charging times, or another external power source such as a power bank. Ensure the power source meets safety and regulatory standards.

Note: Please be cautious during the charging process and follow these instructions diligently to ensure the longevity and safety of your device.

Status LED light is orange = charging
Status LED light is green = fully charged

To prevent battery deterioration, please disconnect the product from the power supply device when the status LED turns green.

CHARGING BEHAVIOR:

Per KITE OPTICS experience and thanks to APC power saving functions :

Battery fully charged = 30 hours power = up to 2 months intensive binocular use
up to 6 months average binocular use

STATUS LED

When switching on, the status LED light will inform you of the actual Li-ion battery capacity :

3x green blink	=	> 80 %
2x blink green	=	80 % - 50 %
1x blink green	=	50 % - 20 %
Continuous orange blinking	=	< 20 % (low battery indicator)

GENERAL SAFETY GUIDELINES

- Disconnect the power cord during electric storms or extended periods of non-use.
- Battery life depends on conditions, environmental factors, features, and connected devices.
- Keep the device away from heat sources and avoid covering it during charging.
- Exercise caution to prevent forcing connectors into ports or applying excessive pressure to buttons, as this may void the warranty.

Operational temperature :	-20 to +45 degrees Celsius
Re-charge temperature :	10 to +45 degrees Celsius
Storage temperature :	-20 to +60 degrees Celsius

SWITCHING THE DEVICE ON/OFF

The device is switched on by placing the power switch in the 'I' position. The device is switched off by placing the power switch in the 'O' position. The status LED light will be green when the device is switched ON.

SLEEP MODE BY APC

The device is equipped with KITE's APC system (angle power control). Without having to switch the button, it will put the stabilizing electronics to sleep mode when the instrument is in rest position, and automatically activate the unit when you start observing again. This results in a huge increase of battery life and comfort of use.

- REST POSITION (Hanging from the neck or standing on a table) The instrument is tilted to a vertical position by 60° or more. The stabilization electronics automatically go into SLEEP mode, the status LED blinks red.
- ACTIVE POSITION (during observation) The instrument is tilted to a horizontal position by 40° or more. The electronics automatically become active, the status LED lights green.

AUTOMATIC OFF BY TIMER

No matter the position the instrument is in (active mode or sleep mode), 90 minutes after placing the switch to ON, the instrument will completely switch OFF again. At this moment the status LED will go dark.

NOTE : When the instrument was in SLEEP mode and automatically entered OFF mode after 90 minutes, the power switch might still be in the ON position. To re-activate the instrument, turn the power switch to OFF and to ON again. The 90 minute cycle starts again.

USE OF THE DEVICE WITHOUT POWER

apart of power on and off, the power switch also acts as a physical lock for the internal gimball. When the device enters SLEEP mode while the power switch is still in the ON position, the internal gimball system is no longer actively powered but will be free in movement. This free movement can be felt when shaking the binocular, or seen when looking through the binoculars as a very unstable and shaky image. In the same way, placing the power switch to ON position while no batteries are placed or with a dead battery, will cause the gimball system to be unlocked and move freely. This is normal.

You can perfectly use the device as a conventional binocular when no battery is placed or when battery is dead, only keep in mind to put the power switch in OFF position so the gimball is locked.

FIRST USE

- A. Attach the neck-strap to the neck-strap passage way on both sides.
Attach a hand-strap Attach a neck-strap



- B. For use while wearing spectacles, do not twist up the eyecups. For use without wearing spectacles, twist up the eyecups by turning them anti-clockwise.
C. Look through the binoculars and adjust the interpupillary distance by folding the eyepieces in or out, until you see one nice and round image.
D. Adjust the diopter setting. To achieve optimal image quality, the possibly varying visual acuity between the left and right eye must be corrected.

// Use without eyeglasses and equal acuity of both eyes, or with eyeglasses. Place the diopter ring in middle neutral position.
(alignment of indications in diopter wheel and rubber)

// Use without eyeglasses and varying acuity.

Look through the left eyepiece with your left eye and turn the focus wheel to focus sharply on a selected object. Now look at that same object through the right ocular with your right eye and again create a sharp image of this object by turning the diopter ring only.

Now the dioptric correction has been set for our particular visual acuity.

OBSERVATION

- A. Look through the binoculars, keeping in mind the above instructions of first use.
- B. Depending on the distance of the observed object, adjust focus by turning the focus wheel.
- C. Activate the stabilisation system by flipping the power switch to the ON position. The status LED turns green.

CARE AND MAINTENANCE

Note : Avoid the instrument of being exposed to jolts and shocks, dust and sand.

Cleaning of the lenses: Always remove large particles first, using a soft brush or by blowing them away. Large particles such as sand and salt could cause scratches on the lens surface during cleaning. For thorough cleaning we recommend breathing onto the lens surface to form a coat of condensation and then cleaning it with a soft and moist cloth. Never press hard or use force while wiping the lenses. We advise not to use liquids ment for spectacle cleaning, unless they are advised for binoculars. Some liquids can bring damage to the coatings of your binoculars.

LONG-TERM STORAGE OF THE APC - Li-ion MODEL

When in long time storage, to prevent battery deterioration, please charge the battery once every six months. The built-in rechargeable battery will naturally discharge even if it is charged and stored. When storing for a long time, the recommended charging time is approximately 50 minutes. Disconnect the product from the power source even if the charging indicator is still orange.

STORAGE

- Keep your device stored in its bag in a well-ventilated area. In case of moisture exposure, ensure thorough drying before storage.
 - In high-humidity or tropical environments, consider using an airtight container with a moisture-absorbing agent (e.g., silica gel).
- Avoid subjecting the device to excessive heat, such as direct sunlight or fire.
- Avoid storing in areas with dramatic temperature changes.
- Using damaged cables or chargers, or charging in humid environments, may result in electric shocks, fire, injury, or equipment damage.
- Refrain from attempting to remove the rechargeable lithium-ion battery; contact us or an authorized dealer for assistance.
- Do not leave the batteries in the unit for a long time when not in use. The electrolyte solution in the battery may leak, damaging the unit.

WARRANTY

30 YEARS *5 YEARS ON ELECTRONICS

The warranty period of your instrument starts on the date of purchase in accordance with the following conditions: In case of manufacturing faults or defects in material not caused by the user, we take on material and workmanship costs. We reserve the right to repair or replace the instrument or the defective part at our discretion. This warranty is not valid when the defect has been caused by improper handling of the instrument, or in case of accidents. Wear parts like eyecups, leather details, armoring, carry straps and accessories are also exempt from the warranty. The same applies for surface damage. In that case, thanks to the excellent after-sales service of KITE Optics, the costs of materials and workmanship will be brought to a minimum. It is in our philosophy and reputation to offer our customers the very best after-sales service available in the world of sport optics. In a warranty case or for repair work, present the instrument together with this card to your authorized KITE Optics dealer. An instrument sent in without this card can not be repaired free of costs. Warning! The warranty is not valid when the product has been serviced or repaired by a person or repair shop that is not authorized by KITE Optics. Never try to repair or make modifications to the instrument yourself. NOTE: The device is splash-, water-, and dust-resistant, rated IPX7 under controlled laboratory conditions. This resistance may diminish over time due to wear and tear, and damage caused by liquids is therefor not guaranteed to be covered by the warranty.

COMPLIANCE

CE MARK

The CE mark signifies compliance with fundamental EU guidelines.



DISPOSAL OF ELECTRICAL AND ELECTRONIC EQUIPMENT

(For EU and European countries with waste separation policies)

Dispose of this device, containing electric/electronic components, at a designated recycling collection point provided by local authorities. Standard or rechargeable batteries must be removed and disposed of separately in line with local regulations.



FR

JUMELLES STABILISÉES APC

MANUEL D'UTILISATION ET GARANTIE

Nous vous remercions d'avoir acheté un instrument KITE OPTICS.

1. Lentilles oculaires
2. Oeilleton escamotable
3. Bague de dioptrie
4. Oculaires
5. Passage de sangle pour le cou
6. Interrupteur marche-arrêt
7. Molette de mise au point
8. Lentilles objectives
9. Voyant lumineux d'état LED
10. Passage de dragonne

CONTENU DE LA LIVRAISON

- Sangle de cou en néoprène
- Étui souple avec dragonne
- Capuchon de protection pour lentille oculaire
- Capuchon de protection pour lentille objective
- Dragonne
- Câble de charge USB-C (modèle APC - Li-ion uniquement)

PIÈCES DE RECHANGE

<https://parts.kiteoptics.com>



SÉCURITÉ

- Ne regardez jamais le soleil ou une source lumineuse intense avec ce produit. Cela pourrait endommager vos yeux.
- Évitez d'utiliser l'appareil en marchant pour ne pas négliger les obstacles.
- Protégez l'appareil contre les chocs.
- N'utilisez pas ce produit dans un endroit où un gaz inflammable ou explosif pourrait être présent dans l'air. Cela pourrait entraîner une inflammation ou une explosion.
- N'utilisez pas ou ne stockez pas ce produit dans un endroit à haute température ou dans une voiture en plein été, à une fenêtre, à côté d'un appareil de chauffage.
- Ne laissez pas l'appareil exposé directement au soleil. La lentille pourrait concentrer les rayons du soleil et provoquer un chauffage interne de l'instrument ou un incendie.
- Assurez-vous de lire le manuel d'instructions.
- Évitez d'utiliser l'appareil près de champs magnétiques, électrostatiques ou électromagnétiques puissants pour éviter les interférences.
- Les réparations doivent être effectuées uniquement dans des centres de service autorisés, et toute tentative de démontage ou de modification de l'appareil peut causer des dommages, des blessures ou des chocs électriques.
- Évitez d'exposer l'appareil à des répulsifs d'insectes ou à des produits chimiques agressifs ; utilisez uniquement des agents de nettoyage recommandés.
- Gardez l'appareil hors de portée des petits enfants.
- Évitez de toucher les surfaces en verre avec les doigts, en particulier si des crèmes pour les mains ou des répulsifs d'insectes ont été appliqués, car ces substances peuvent contenir des produits chimiques nocifs pour les revêtements.
- Conservez le numéro de série de l'appareil pour prévenir la perte.

INSTRUCTIONS ET SÉCURITÉ DE LA BATTERIE

MODÈLE APC AA :

11. Couvertres de la batterie
12. Compartiment de la batterie AA

INSERTION DES BATTERIES (piles non incluses)

Retirez les couvertres de la batterie du côté gauche et droit en les tournant dans le sens antihoraire.

Insérez 1 pile AA de chaque côté. Le côté '+' va en premier.

Fermez les couvertres de la batterie en les tournant dans le sens horaire.

- Utilisez toujours des piles alcalines AA ou au lithium. N'UTILISEZ PAS DE PILES RECHARGEABLES, cela annulera la garantie.
- KITE OPTICS recommande l'utilisation de piles au lithium AA plutôt que de piles alcalines, pour une meilleure durée de vie de la batterie et un faible risque de fuite de batterie.
- Éteignez toujours l'interrupteur après utilisation. Si vous n'utilisez pas l'appareil pendant une longue période, retirez et stockez la batterie.
- En cas de fuite de liquide de la batterie dans les yeux, rincez immédiatement à l'eau en abondance et consultez un médecin. Si cela se produit sur la peau ou les vêtements, lavez-les à l'eau.
- Ne laissez pas les piles dans l'appareil pendant une longue période lorsqu'il n'est pas utilisé. La solution électrolytique de la batterie peut fuir et endommager l'appareil.



VOYANT LUMINEUX D'ETAT LED

Lors de la mise sous tension, le voyant lumineux d'état LED vous informera sur la capacité de la batterie:

Vert continu = 100 % - 30 %
Orange clignotant continu = < 30 % (indicateur de batterie faible)

MODÈLE APC - Li-ion

Fig3

13. Port de charge USB-C



Ce produit intègre une batterie rechargeable intégrée qui ne peut pas être remplacée. Lors de l'utilisation de ce produit, veuillez prendre les précautions suivantes : Cessez d'utiliser si le boîtier extérieur est endommagé ou si des dommages à la batterie sont suspectés. Dans de tels cas, contactez immédiatement notre service client pour réduire le risque d'explosion et/ou d'accidents. Chargez l'appareil à l'aide du câble USB fourni et d'une source d'alimentation appropriée conforme aux réglementations locales ou possédant une approbation FCC/CE/IC.

CHARGE

Commencez par connecter le câble de charge USB au port USB-C de l'appareil. Fixez la fiche opposée du câble à un adaptateur secteur USB adapté avec une entrée minimale de 1,5 A/5 V pour des temps de charge optimaux, ou une autre source d'alimentation externe telle qu'une batterie externe. Assurez-vous que la source d'alimentation respecte les normes de sécurité et de réglementation. Remarque : Soyez prudent pendant le processus de charge et suivez attentivement ces instructions pour assurer la longévité et la sécurité de votre appareil.

Voyant lumineux d'état LED orange = en charge
Voyant lumineux d'état LED vert = complètement chargé

Pour prévenir la détérioration de la batterie, veuillez débrancher le produit du dispositif d'alimentation lorsque le voyant d'état devient vert.

COMPORTEMENT DE CHARGE

Selon l'expérience de KITE OPTICS et grâce aux fonctions d'économie d'énergie de l'APC :

Batterie complètement chargée = 30 heures d'alimentation = jusqu'à 2 mois d'utilisation intensive de jumelles
jusqu'à 6 mois d'utilisation moyenne de jumelles

VOYANT LUMINEUX D'ETAT LED

Lors de la mise sous tension, le voyant lumineux d'état LED vous informera de la capacité réelle de la batterie Li-ion :

3 clignotements verts = > 80 %

2 clignotements verts = 80 % - 50 %

1 clignotement vert = 50 % - 20 %

Orange clignotant continu = < 20 % (indicateur de batterie faible)

DIRECTIVES GÉNÉRALES DE SÉCURITÉ

- Débranchez le cordon d'alimentation pendant les orages électriques ou les périodes prolongées de non-utilisation.
- La durée de vie de la batterie dépend des conditions, des facteurs environnementaux, des fonctionnalités et des appareils connectés.
- Gardez l'appareil loin de sources de chaleur et évitez de le recouvrir pendant la charge.
- Faites preuve de prudence pour éviter d'insérer de force des connecteurs dans des ports ou d'appliquer une pression excessive sur les boutons, car cela pourrait annuler la garantie.

Température opérationnelle -20 à +45 degrés Celsius

Température de recharge : 10 à +45 degrés Celsius

Température de stockage : -20 à +60 degrés Celsius

MISE EN MARCHÉ/ARRÊT DE L'APPAREIL

L'appareil s'allume en plaçant l'interrupteur d'alimentation en position 'I'. L'appareil s'éteint en plaçant l'interrupteur d'alimentation en position 'O'. Le voyant lumineux d'état LED sera vert lorsque l'appareil est allumé.

MODE VEILLE PAR APC

L'appareil est équipé du système APC (angle power control) de KITE. Sans avoir besoin de basculer le bouton, il met les électroniques de stabilisation en mode veille lorsque l'instrument est en position de repos, et active automatiquement l'unité lorsque vous commencez à observer à nouveau. Cela entraîne une augmentation considérable de la durée de vie de la batterie et du confort d'utilisation.

- POSITION DE REPOS (suspendu au cou ou debout sur une table) L'instrument est incliné à une position verticale de 60° ou plus.

Les électroniques de stabilisation passent automatiquement en mode VEILLE, le voyant lumineux clignote en rouge.

- POSITION ACTIVE (pendant l'observation) L'instrument est incliné à une position horizontale de 40° ou plus.

Les électroniques deviennent automatiquement actives, le voyant lumineux d'état LED s'allume en vert.

ARRÊT AUTOMATIQUE PAR MINUTERIE

Peu importe la position de l'instrument (mode actif ou mode veille), 90 minutes après avoir mis l'interrupteur en position ON, l'instrument s'éteindra complètement à nouveau. À ce moment, le voyant lumineux s'éteindra.

NOTE : Lorsque l'instrument était en mode VEILLE et est automatiquement passé en mode ARRÊT après 90 minutes, l'interrupteur d'alimentation peut toujours être en position ON. Pour réactiver l'instrument, mettez l'interrupteur d'alimentation en position OFF, puis en position ON à nouveau. Le cycle de 90 minutes recommence.

UTILISATION DE L'APPAREIL SANS ALIMENTATION

En plus de l'allumage et de l'extinction, l'interrupteur d'alimentation agit également comme un verrou physique pour la nacelle interne. Lorsque l'appareil entre en mode VEILLE alors que l'interrupteur d'alimentation est toujours en position ON, le système de nacelle interne n'est plus alimenté activement mais est libre de mouvement. Ce mouvement libre peut être ressenti en secouant les jumelles, ou vu en regardant à travers les jumelles comme une image très instable et tremblante. De la même manière, placer l'interrupteur d'alimentation en position ON sans pile ou avec une pile déchargée fera que le système de nacelle sera déverrouillé et se déplacera librement. C'est normal. Vous pouvez parfaitement utiliser l'appareil comme une jumelle conventionnelle lorsque aucune pile n'est insérée ou lorsque la pile est déchargée, mais veillez à mettre l'interrupteur d'alimentation en position OFF pour verrouiller la nacelle.

PREMIÈRE UTILISATION

- A. Attachez la dragonne au passage de dragonne de chaque côté.
Attachez une dragonne Attachez le sangle de cou



- B. Pour une utilisation avec des lunettes, ne tournez pas les œilillons escamotables.
Pour une utilisation sans lunettes, tournez les œilillons escamotables dans le sens antihoraire.
- C. Regardez à travers les jumelles et ajustez la distance interpupillaire en repliant les oculaires vers l'intérieur ou vers l'extérieur, jusqu'à ce que vous voyiez une image nette et ronde.
- D. Ajustez le réglage de la dioptrie. Pour obtenir une qualité d'image optimale, l'acuité visuelle éventuellement variable entre l'œil gauche et l'œil droit doit être corrigée.
- // Utilisation sans lunettes et acuité égale des deux yeux, ou avec lunettes. Placez la bague de dioptrie en position neutre au milieu (alignement des indications sur la roue de dioptrie et le caoutchouc).
- // Utilisation sans lunettes et acuité variable. Regardez à travers l'oculaire gauche avec l'œil gauche et tournez la molette de mise au point pour faire le point sur un objet sélectionné. Regardez maintenant le même objet à travers l'oculaire droit avec l'œil droit et créez à nouveau une image nette de cet objet en tournant uniquement la bague de dioptrie. Maintenant, la correction dioptrique a été réglée pour votre acuité visuelle particulière.

OBSERVATION

- A. Regardez à travers les jumelles en gardant à l'esprit les instructions ci-dessus pour la première utilisation.
- B. En fonction de la distance de l'objet observé, ajustez la mise au point en tournant la molette de mise au point.
- C. Activez le système de stabilisation en basculant l'interrupteur d'alimentation sur la position ON. Le voyant LED d'état devient vert.

ENTRETIEN ET MAINTENANCE

Note : Évitez que l'instrument soit exposé à des secousses, des chocs, de la poussière et du sable. Nettoyage des lentilles : Retirez toujours d'abord les grosses particules à l'aide d'une brosse douce ou en les soufflant. Les grosses particules telles que le sable et le sel pourraient causer des rayures sur la surface de la lentille pendant le nettoyage. Pour un nettoyage approfondi, nous recommandons de respirer sur la surface de la lentille pour former une couche de condensation, puis de la nettoyer avec un chiffon doux et humide. N'appuyez jamais fort ni n'exercez de force tout en essuyant les lentilles. Nous vous conseillons de ne pas utiliser de liquides destinés au nettoyage des lunettes, sauf s'ils sont recommandés pour les jumelles. Certains liquides peuvent endommager les revêtements de vos jumelles.

STOCKAGE À LONG TERME DU MODÈLE APC - Li-ion

Lorsqu'il est stocké pendant une longue période, pour éviter la détérioration de la batterie, veuillez charger la batterie une fois tous les six mois. La batterie rechargeable intégrée se déchargera naturellement même si elle est chargée et stockée. Lors du stockage prolongé, le temps de charge recommandé est d'environ 50 minutes. Débranchez le produit de la source d'alimentation même si le témoin de charge est encore orange.

STOCKAGE

- Gardez votre appareil rangé dans son sac dans un endroit bien ventilé.
 - En cas d'exposition à l'humidité, assurez-vous d'un séchage complet avant le stockage.
 - Dans des environnements à forte humidité ou tropicaux, envisagez d'utiliser un contenant hermétique avec un agent absorbant d'humidité. (par exemple, du gel de silice).
- Évitez d'exposer l'appareil à une chaleur excessive, telle que la lumière directe du soleil ou le feu.
- Évitez de le stocker dans des zones avec des changements de température importants.
- L'utilisation de câbles ou de chargeurs endommagés, ou la charge dans des environnements humides, peut entraîner des chocs électriques, des incendies, des blessures ou des dommages à l'équipement.
- Abstenez-vous de tenter de retirer la batterie au lithium-ion rechargeable ; contactez-nous ou un revendeur autorisé pour obtenir de l'aide.
- Ne laissez pas les piles dans l'appareil pendant une longue période lorsqu'il n'est pas utilisé. La solution électrolytique de la batterie peut fuir et endommager l'appareil.

GARANTIE **30 ANS *5 ANS SUR L'ÉLECTRONIQUE**

La période de garantie de votre instrument commence à la date d'achat conformément aux conditions suivantes : En cas de défauts de fabrication ou de défauts de matériau non causés par l'utilisateur, nous prenons en charge les coûts de matériel et de main-d'œuvre. Nous nous réservons le droit de réparer ou de remplacer l'instrument ou la pièce défectueuse à notre discrétion. Cette garantie n'est pas valable en cas de défaut causé par une manipulation incorrecte de l'instrument, ou en cas d'accidents. Les pièces d'usure telles que les oeillets, les détails en cuir, le blindage, les sangles de transport et les accessoires sont également exclus de la garantie. Il en va de même pour les dommages de surface. Dans ce cas, grâce au service après-vente excellent de KITE Optics, les coûts de matériel et de main-d'œuvre seront réduits au minimum. Il est dans notre philosophie et réputation d'offrir à nos clients le meilleur service après-vente disponible dans le monde de l'optique sportive. En cas de garantie ou de réparation, présentez l'instrument avec cette carte à votre revendeur KITE Optics autorisé. Un instrument envoyé sans cette carte ne peut pas être réparé gratuitement. Attention ! La garantie n'est pas valable si le produit a été entretenu ou réparé par une personne ou un atelier de réparation non autorisé par KITE Optics.

Ne tentez jamais de réparer ou de modifier l'instrument vous-même. REMARQUE. L'appareil est résistant aux éclaboussures, à l'eau et à la poussière, classé IPX7 dans des conditions de laboratoire contrôlées. Cette résistance peut diminuer avec le temps en raison de l'usure, et les dommages causés par les liquides ne sont donc pas garantis par la garantie.

CONFORMITÉ

MARQUE CE

La marque CE signifie la conformité aux directives fondamentales de l'UE.



ÉLIMINATION DES ÉQUIPEMENTS ÉLECTRIQUES ET ÉLECTRONIQUES

(Pour l'UE et les pays européens avec des politiques de séparation des déchets)

Éliminez cet appareil, contenant des composants électriques/électroniques, à un point de collecte de recyclage désigné par les autorités locales. Les piles standard ou rechargeables doivent être retirées et éliminées séparément conformément à la réglementation locale.



NL

APC GESTABILISEERDE VERREKIJKERS

HANDLEIDING EN GARANTIE

Wij danken u voor de aankoop van een KITE OPTICS instrument.

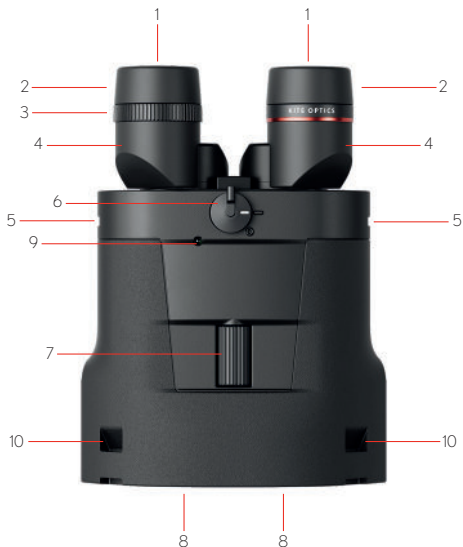
1. Oculaire lenzen
2. Draaibare oogschelp
3. Dioptriering
4. Oculairs
5. Doorgang voor nekband
6. Aan/uit-schakelaar
7. Scherpstelwiel
8. Objectieflenzen
9. Status LED-lampje
10. Doorgang voor handriem

INHOUD VAN DE VERPAKKING

- Neopreen nekriem
- Zachte tas met riem
- Beschermkap voor oculair lens
- Beschermkap voor objectief
- Handriem
- USB-C oplaadkabel (alleen voor het APC Li-ion model)

ONDERDELEN BESTELLEN

<https://parts.kiteoptics.com>



VEILIGHEID

- Bekijk nooit de zon of een intense lichtbron met dit product. Het kan schade aan uw ogen veroorzaken.
- Vermijd gebruik van het apparaat tijdens het lopen om het missen van obstakels te voorkomen.
- Bescherm het apparaat tegen stoten.
- Gebruik dit product niet op plaatsen waar ontvlambaar gas of explosief gas in de lucht aanwezig kan zijn. Dit kan ontsteking of explosie veroorzaken.
- Gebruik of bewaar dit product niet op een locatie met hoge temperaturen, in een auto in de volle zon, bij een raam, naast een verwarmingsapparaat.
- Laat het niet blootgesteld aan direct zonlicht. De lens kan zonnestralen concentreren en interne verwarming of brand veroorzaken.
- Zorg ervoor dat u de gebruiksaanwijzing leest.
- Vermijd het gebruik van het apparaat in de buurt van krachtige magnetische, elektrostatische of elektromagnetische velden om storingen te voorkomen.
- Reparaties moeten uitsluitend worden uitgevoerd bij geautoriseerde servicecentra, en pogingen om het apparaat te demonteren of te wijzigen kunnen schade, letsel of elektrische schokken veroorzaken.
- Vermijd blootstelling van het apparaat aan insectenwerende middelen of agressieve chemicaliën; gebruik alleen aanbevolen reinigingsmiddelen.
- Houd het apparaat buiten het bereik van kleine kinderen.
- Vermijd aanraking van glasoppervlakken met de vingers, vooral als handcrèmes of insectenwerende middelen zijn aangebracht, omdat deze stoffen chemische stoffen kunnen bevatten die schadelijk zijn voor coatings.
- Houd een record bij van het serienummer van het apparaat ter voorkoming van verlies.

BATTERIJ-INSTRUCTIE EN VEILIGHEID

APCAA MODEL:

- 11. Batterijklepjes
- 12. AA-batterijcompartiment

HET PLAATSEN VAN DE BATTERIEN (batterijen niet inbegrepen)

Verwijder de batterijklepjes aan de linker- en rechterkant door ze tegen de klok in te draaien. Plaats 1 AA-batterij aan elke zijde. De zijde met het '1' gaat eerst. Sluit de batterijklepjes door ze met de klok mee te draaien.

- Gebruik altijd AA-alkaline- of lithiumbatterijen. GEBRUIK GEEN OPLAADBARE BATTERIEN, dit vervalt de garantie.
- KITE OPTICS adviseert het gebruik van lithium AA-batterijen boven alkalinebatterijen, voor een langere levensduur van de batterij en een laag risico op batterijlekkage.
- Zet de schakelaar altijd uit na gebruik. Als u het apparaat langdurig niet gebruikt, verwijder dan de batterij en bewaar deze.
- In het onwaarschijnlijke geval dat er vloeistof uit de batterij lekt en in uw oog terechtkomt, spoel het dan onmiddellijk uit met veel water en raadpleeg een arts. Als het op uw huid of kleding komt, was het dan met water.
- Laat de batterijen niet langdurig in het apparaat zitten wanneer het niet in gebruik is. Het elektrolytoplossing in de batterij kan lekken en het apparaat beschadigen.



STATUS LED

Bij het inschakelen informeert het status LED-lampje u over de batterijcapaciteit:

Continue groen = 100% - 30%
Continue oranje knipperen = < 30% (laag batterijniveau indicator)

APC - Li-ion MODEL

Fig.3

13. USB-C oplaadpoort



Dit product bevat een ingebouwde oplaadbare batterij die niet kan worden vervangen. Bij het gebruik van dit product moet u de volgende voorzorgsmaatregelen in acht nemen: Stop met gebruiken als de buitenste behuizing is beschadigd of als batterijschade wordt vermoed. Neem in dergelijke gevallen onmiddellijk contact op met onze klantenservice om het risico op explosie en/of ongevallen te verminderen. Laad het apparaat op met de meegeleverde USB-kabel en een geschikte stroombron die voldoet aan lokale voorschriften of FCC/CE/IC-goedkeuring heeft.

LADEN:

Begin met het aansluiten van de USB-opladekabel op de USB-C-poort op het apparaat. Bevestig de tegenovergestelde stekker van de kabel aan een geschikte USB-stroomadapter met een minimale invoer van 1,5 A/5 V voor optimale laadtijden, of een andere externe stroombron zoals een powerbank. Zorg ervoor dat de stroombron voldoet aan veiligheids- en regelgevingsnormen. Opmerking: Wees voorzichtig tijdens het laadproces en volg deze instructies nauwkeurig op om de levensduur en veiligheid van uw apparaat te waarborgen.

Status LED-lampje is oranje = opladen
Status LED-lampje is groen = volledig opgeladen

Om batterijverslechtering te voorkomen, koppel het product alsjeblift los van het voedingsapparaat wanneer de status-LED groen wordt.

OPLAADGEDRAG:

Volgens de ervaring van KITE OPTICS en dankzij de energiebesparende functies van APC:
Volledig opgeladen batterij = 30 uur stroom = tot 2 maanden intensief gebruik van de verrekijker
tot 6 maanden gemiddeld gebruik van de verrekijker

STATUS LED

Bij het inschakelen informeert het status LED-lampje u over de daadwerkelijke capaciteit van de Li-ion-batterij:

3x groene knipper = > 80%

2x groene knipper = 80% - 50%

1x groene knipper = 50% - 20%

Continue oranje knipperen = < 20% (laag batterijniveau indicator)

ALGEMENE VEILIGHEIDSRICHTLIJNEN

- Koppel de stroomkabel los tijdens elektrische stormen of langdurige periodes van niet-gebruik.
- De levensduur van de batterij is afhankelijk van omstandigheden, milieu factoren, functies en aangesloten apparaten.
- Houd het apparaat uit de buurt van warmtebronnen en vermijd bedekking tijdens het opladen.
- Wees voorzichtig om connectors niet in poorten te forceren of overmatige druk op knoppen uit te oefenen, aangezien dit de garantie kan doen vervallen.

Operationele temperatuur: -20 tot +45 graden Celsius

Opladtemperatuur: 10 tot +45 graden Celsius

Opslagtemperatuur: -20 tot +60 graden Celsius

HET IN- EN UITSCHAKELLEN VAN HET APPARAAT

The device is switched on by placing the power switch in the 'I' position. The device is switched off by placing the power switch in the 'O' position.

The status LED light will be green when the device is switched ON.

SLAAPMODUS DOOR APC

Het apparaat is uitgerust met het APC-systeem van KITE (angle power control). Zonder de knop om te schakelen, wordt de stabiliserende elektronica in de slaapstand gezet wanneer het instrument in rustpositie is en wordt automatisch geactiveerd wanneer u weer begint met observeren.

Dit resulteert in een aanzienlijke verlenging van de batterijduur en het gebruiksgemak.

- RUSTPOSITIE (Hangend aan de nek of staand op een tafel) Het instrument is gekanteld naar een verticale positie van 60° of meer.

De stabilisatie-elektronica gaat automatisch in de SLAAPMODUS en het status LED-lampje knippert rood.

- ACTIEVE POSITIE (tijdens observatie) Het instrument is gekanteld naar een horizontale positie van 40° of meer.

De elektronica wordt automatisch actief en het status LED-lampje brandt groen.

AUTOMATISCHE UITSCHAKELING VIA TIMER

Ongeacht de positie van het instrument (actieve modus of slaapmodus), schakelt het instrument 90 minuten na het plaatsen van de schakelaar op AAN volledig UIT. Op dit moment gaat het status LED-lampje uit.

LET OP: Wanneer het instrument in de SLAAPMODUS was en na 90 minuten automatisch is overgeschakeld naar UIT-modus, kan de aan/uit-schakelaar nog steeds in de AAN-positie staan. Om het instrument opnieuw te activeren, zet u de aan/uit-schakelaar op UIT en vervolgens weer op AAN.

De cyclus van 90 minuten begint opnieuw.

GEBRUIK VAN HET APPARAAT ZONDER STROOM

Naast het aan- en uitzetten, fungeert de aan/uit-schakelaar ook als een fysieke vergrendeling voor het interne gimbal.

Wanneer het apparaat de SLAAPMODUS ingaat terwijl de aan/uit-schakelaar nog steeds in de AAN-positie staat, wordt het interne gimball-systeem niet langer actief aangedreven maar kan vrij bewegen. Deze vrije beweging is voelbaar bij het schudden van de verrekijker, of zichtbaar bij het kijken door de verrekijker als een zeer onstabiel en trillend beeld. Op dezelfde manier zal het plaatsen van de aan/uit-schakelaar in de AAN-positie zonder geplaatste batterijen of met een lege batterij, het gimball-systeem ontgrendelen en vrij laten bewegen. Dit is normaal. U kunt het apparaat perfect gebruiken als een conventionele verrekijker wanneer er geen batterij is geplaatst of wanneer de batterij leeg is, maar zorg ervoor dat de aan/uit-schakelaar in de UIT-positie staat zodat het gimball is vergrendeld.

EERSTE GEBRUIK

A. Bevestig de nekriem aan de doorgang voor de nekriem aan beide zijden. Bevestig een nekriem

Bevestig een handriem

Bevestig een nekriem



B. Voor gebruik met een bril, draai de oogschelpen niet omhoog. Voor gebruik zonder bril, draai de oogschelpen omhoog door ze tegen de klok in te draaien.

C. Kijk door de verrekijker en pas de interpupillaire afstand aan door de oculairs in of uit te klappen, totdat u één mooi en rond beeld ziet.

D. Pas de dioptrie-instelling aan. Voor optimale beeldkwaliteit moet de mogelijk variërende gezichtsscherpte tussen het linker- en rechteroog worden gecorrigeerd.

// Gebruik zonder bril en gelijke scherpte van beide ogen, of met bril. Plaats de dioptrie-ring in de neutrale middenpositie.

(alignering van aanduidingen in het dioptriewiel en rubber)

// Gebruik zonder bril en variërende scherpte.

Kijk door het linker oogstuk met uw linkeroog en draai aan het scherpstelwiel om scherp te stellen op een geselecteerd object.

Kijk nu naar hetzelfde object door het rechter oculair met uw rechteroog en creëer opnieuw een scherp beeld van dit object door alleen aan de dioptrie-ring te draaien. Nu is de dioptrische correctie ingesteld voor uw specifieke gezichtsscherpte.

WAARNEMING

- A. Kijk door de verrekijker, rekening houdend met de bovenstaande instructies voor eerste gebruik.
- B. Afhankelijk van de afstand van het waargenomen object, stel de focus in door aan het scherpstelwiel te draaien.
- C. Activeer het stabilisatiesysteem door de aan/uit-schakelaar om te zetten naar de AAN-positie. Het status LED-lampje wordt groen.

ZORG EN ONDERHOUD

Opmerking: Vermijd blootstelling van het instrument aan schokken, stoten, stof en zand.

Reiniging van de lenzen:

Verwijder altijd eerst grote deeltjes met een zachte borstel of door erop te blazen. Grote deeltjes zoals zand en zout kunnen krassen op het lensoppervlak veroorzaken tijdens het reinigen. Voor grondige reiniging raden we aan om op het lensoppervlak te ademen om een condenslaag te vormen en het vervolgens met een zachte en vochtige doek schoon te maken. Druk nooit hard of gebruik geen kracht bij het afvegen van de lenzen.

Wij raden af om vloeistoffen die bedoeld zijn voor brillenreiniging te gebruiken, tenzij deze zijn aanbevolen voor verrekijkers.

Sommige vloeistoffen kunnen schade veroorzaken aan de coatings van uw verrekijker.

LANGE TERMIJN OPSLAG VAN HET APC - Li-ion MODEL

Bij langdurige opslag, om batterijverslechtering te voorkomen, laad de batterij dan eens in de zes maanden op.

De ingebouwde oplaadbare batterij zal natuurlijk ontladen, zelfs als deze is opgeladen en opgeslagen.

Bij langdurige opslag is de aanbevolen laadtijd ongeveer 50 minuten.

Koppel het product los van de stroombron, zelfs als de laadindicator nog steeds oranje is.

OPSLAG

- Bewaar uw apparaat in zijn tas op een goed geventileerde plaats. Bij blootstelling aan vochtigheid, zorg voor grondig drogen voordat u het opbergt. In omgevingen met hoge luchtvochtigheid of tropische omstandigheden kunt u overwegen een luchtdichte container met een vochtopnemend middel (bijv. silica gel) te gebruiken.
- Vermijd blootstelling aan overmatige hitte, zoals direct zonlicht of vuur.
- Vermijd opslag in gebieden met drastische temperatuurveranderingen.
- Het gebruik van beschadigde kabels of opladers, of het opladen in vochtige omgevingen, kan leiden tot elektrische schokken, brand, letsel of schade aan de apparatuur.
- Probeer niet de oplaadbare lithium-ionbatterij te verwijderen; neem contact met ons of raadpleeg een geautoriseerde dealer voor hulp.
- Laat de batterijen niet langdurig in het apparaat zitten wanneer het niet in gebruik is. Het elektrolytoplossing in de batterij kan lekken en het apparaat beschadigen.

GARANTIE **30 JAAR *5 JAAR OP ELEKTRONICA**

De garantieperiode van uw instrument begint op de aankoopdatum volgens de volgende voorwaarden: In geval van fabricagefouten of materiaaldefecten die niet door de gebruiker zijn veroorzaakt, nemen wij de kosten van materiaal en vakmanschap op ons. Wij behouden ons het recht voor om het instrument of het defecte onderdeel naar eigen goeddunken te repareren of te vervangen. Deze garantie is niet geldig wanneer het defect is veroorzaakt door onjuist gebruik van het instrument of in geval van ongelukken. Slijtonderdelen zoals oogschelpen, leren details, bekleding, draagriemen en accessoires vallen ook niet onder de garantie. Hetzelfde geldt voor oppervlakteschade. In dat geval zullen de kosten van materiaal en vakmanschap dankzij de uitstekende after-sales service van KITE Optics tot een minimum worden beperkt. Het is onze filosofie en reputatie om onze klanten de best mogelijke after-sales service te bieden die beschikbaar is in de wereld van sportoptiek. In geval van garantie of reparatiewerkzaamheden, presenteert het instrument samen met deze kaart bij uw geautoriseerde KITE Optics-dealer. Een instrument dat zonder deze kaart wordt ingezonden, kan niet kosteloos worden gerepareerd.

Waarschuwing! De garantie is niet geldig wanneer het product is onderhouden of gerepareerd door een persoon of reparatiewinkel die niet is geautoriseerd door KITE Optics. Probeer nooit het instrument zelf te repareren of wijzigingen aan te brengen. NB. Het apparaat is spatwater-, water- en stofbestendig, beoordeeld als IPX7 onder gecontroleerde laboratoriumomstandigheden. Deze weerstand kan na verloop van tijd afnemen door normale slijtage, en schade veroorzaakt door vloeistoffen is daarom niet gegarandeerd gedekt door de garantie.

CONFORMITEIT

CE-MARKERING

Het CE-teken duidt op naleving van fundamentele EU-richtlijnen.



AFVOER VAN ELEKTRISCHE EN ELEKTRONISCHE APPARATUUR

(Voor EU- en Europese landen met beleid voor afvalscheiding) Gooi dit apparaat, dat elektrische/elektronische componenten bevat, weg op een daarvoor bestemde verzamelplaats voor recycling die door de lokale autoriteiten wordt verstrekt. Standaard- of oplaadbare batterijen moeten worden verwijderd en volgens lokale voorschriften afzonderlijk worden afgevoerd.



DE

APC STABILISIERTE FERNGLASER

BEDIENUNGSANLEITUNG UND GARANTIE

Wir danken Ihnen für den Kauf eines Instruments von KITE OPTICS

1. Okularlinsen
2. Twist-Up-Augenmuschel
3. Dioptrieneinstellung
4. Okulare
5. Durchlass für Nackenriemen
6. Ein-/Aus-Schalter
7. Fokusrad
8. Objektivlinsen
9. Status-LED-Licht
10. Durchlass für Handriemen

LIEFERUMFANG

- Neopren-Nackenriemen
- Tasche mit Riemen
- Schutzdeckel für Okularlinsen
- Schutzdeckel für Objektivlinsen
- Handriemen
- USB-C-Ladekabel (nur bei Modell APC - Li-Ion)

ERSATZTEILE ERHALTEN

<https://parts.kiteoptics.com>



SICHERHEIT

- Blicken Sie niemals direkt in die Sonne oder eine intensive Lichtquelle mit diesem Produkt. Es kann Ihre Augen schädigen.
- Verwenden Sie das Gerät nicht beim Gehen, um Hindernisse nicht zu übersehen.
- Schützen Sie das Gerät vor Stößen.
- Verwenden oder lagern Sie dieses Produkt nicht an Orten, an denen sich brennbare oder explosive Gase in der Luft befinden können. Dies kann zu Entzündungen oder Explosionen führen.
- Verwenden oder lagern Sie dieses Produkt nicht an einem Ort mit hoher Temperatur oder in einem Auto im Hochsommer, am Fenster oder neben einem Heizgerät.
- Vermeiden Sie direkte Sonneneinstrahlung.
Die Linse kann die Sonnenstrahlen konzentrieren und eine interne Erwärmung des Instruments oder Feuer verursachen.
- Lesen Sie unbedingt die Bedienungsanleitung. -Vermeiden Sie die Verwendung des Geräts in der Nähe von leistungsstarken magnetischen, elektrostatischen oder elektromagnetischen Feldern, um Interferenzen zu vermeiden.
- Reparaturen dürfen nur in autorisierten Servicezentren durchgeführt werden, und Versuche, das Gerät zu zerlegen oder zu modifizieren, können Schäden, Verletzungen oder Stromschläge verursachen.
- Vermeiden Sie es, das Gerät Insektenschutzmitteln oder aggressiven Chemikalien auszusetzen; verwenden Sie nur empfohlene Reinigungsmittel.
- Bewahren Sie das Gerät außerhalb der Reichweite von kleinen Kindern auf.
- Berühren Sie Glasscheiben nicht mit den Fingern, insbesondere wenn Handcremes oder Insektenschutzmittel aufgetragen wurden, da diese Substanzen chemische Stoffe enthalten können, die für Beschichtungen schädlich sind.
- Notieren Sie sich die Seriennummer des Geräts zur Diebstahlprävention.

BATTERIEANWEISUNGEN UND SICHERHEIT

APCAA MODEL:

11. Batterieabdeckungen
12. AA-Batteriefach

EINSETZEN DER BATTERIEN (Batterien nicht im Lieferumfang enthalten)

Entfernen Sie die Batterieabdeckungen auf der linken und rechten Seite, indem Sie sie gegen den Uhrzeigersinn drehen.

Setzen Sie auf jeder Seite 1 AA-Batterie ein. Die Seite mit dem '-' geht zuerst hinein.

Schließen Sie die Batterieabdeckungen, indem Sie sie im Uhrzeigersinn drehen.

- Verwenden Sie immer AA-Alkaline- oder Lithiumbatterien. VERWENDEN SIE KEINE WIEDERAUFLADBAREN BATTERIEN, da dies die Garantie ungültig macht.
- KITE OPTICS empfiehlt die Verwendung von Lithium-AA-Batterien gegenüber Alkaline-Batterien für eine längere Batterielebensdauer und geringes Risiko von Batterieauslaufen.
- Schalten Sie den Schalter nach Gebrauch immer aus. Wenn Sie das Gerät längere Zeit nicht verwenden, entfernen und lagern Sie bitte die Batterie.
- Wenn unerwartet Batterieflüssigkeit in die Augen gelangt, spülen Sie sie sofort mit reichlich Wasser aus und konsultieren Sie einen Arzt. Wenn es auf die Haut oder Kleidung gelangt, waschen Sie diese mit Wasser.
- Lassen Sie die Batterien nicht lange im Gerät, wenn es nicht verwendet wird. Die Elektrolytlösung in der Batterie kann auslaufen und das Gerät beschädigen.



STATUS LED

Beim Einschalten informiert die Status-LED über den Batteriestand:

Durchgehend grün = 100 % - 30 %
Durchgehend orange blinkend = < 30 % (Niedrige Batterieanzeige)

APC - Li-Ion MODELL

Abb3

13. USB-C-Ladeanschluss



Dieses Produkt enthält einen eingebauten wiederaufladbaren Akku, der nicht ausgetauscht werden kann. Beachten Sie beim Gebrauch dieses Produkts die folgenden Vorsichtsmaßnahmen: Beenden Sie die Verwendung, wenn das äußere Gehäuse beschädigt ist oder wenn Batterieschäden vermutet werden. In solchen Fällen nehmen Sie sofort Kontakt mit unserem Kundendienst auf, um das Risiko einer Explosion und/oder Unfälle zu minimieren. Laden Sie das Gerät mit dem mitgelieferten USB-Kabel und einer geeigneten Stromquelle auf, die den örtlichen Vorschriften entspricht oder FCC/CE/IC-Zulassung besitzt.

LADEN:

Schließen Sie das USB-Ladekabel an den USB-C-Anschluss am Gerät an. Schließen Sie den gegenüberliegenden Stecker des Kabels an einen geeigneten USB-Netzadapter mit einer Mindestleistung von 1,5 A/5 V für optimale Ladezeiten oder eine andere externe Stromquelle wie eine Powerbank an. Stellen Sie sicher, dass die Stromquelle den Sicherheits- und Regulierungsstandards entspricht. Hinweis: Seien Sie während des Ladevorgangs vorsichtig und befolgen Sie diese Anweisungen sorgfältig, um die Langlebigkeit und Sicherheit Ihres Geräts zu gewährleisten.

Die Status-LED leuchtet orange = Laden
Die Status-LED leuchtet grün = Vollständig aufgeladen

Um eine Batterieverschlechterung zu verhindern, trennen Sie bitte das Produkt vom Stromversorgungsgerät, wenn die Status-LED grün wird.

LADEVERHALTEN:

Gemäß den Erfahrungen von KITE OPTICS und dank der energiesparenden Funktionen von APC:

Vollständig geladener Akku = 30 Stunden Strom =
bis zu 2 Monate intensive Nutzung von Ferngläsern
bis zu 6 Monate durchschnittliche Nutzung von Ferngläsern

STATUS-LED

Beim Einschalten informiert die Status-LED über die tatsächliche Li-Ion-Batteriekapazität:

3x grünes Blinken = > 80 %

2x grünes Blinken = 80 % - 50 %

1x grünes Blinken = 50 % - 20 %

Durchgehend orange blinkend = < 20 % (Niedrige Batterieanzeige)

ALLGEMEINE SICHERHEITSRICHTLINIEN

- Trennen Sie das Netzkabel bei Gewitter oder bei längerem Nichtgebrauch.
- Die Batteriebensdauer hängt von Bedingungen, Umweltfaktoren, Funktionen und angeschlossenen Geräten ab.
- Halten Sie das Gerät von Wärmequellen fern und bedecken Sie es während des Ladens nicht.
- Seien Sie vorsichtig, um ein zwangsweises Einstecken von Steckern in Ports oder übermäßigen Druck auf Tasten zu vermeiden, da dies die Garantie ungültig machen kann.

Betriebstemperatur: -20 bis +45 Grad Celsius

Lade-Temperatur: 10 bis +45 Grad Celsius

Lager-Temperatur: -20 bis +60 Grad Celsius

EINSCHALTEN/AUSSCHALTEN DES GERÄTS

Das Gerät wird eingeschaltet, indem der Ein-/Aus-Schalter in die Position 'I' gebracht wird. Das Gerät wird ausgeschaltet, indem der Ein-/Aus-Schalter in die Position 'O' gebracht wird. Die Status-LED leuchtet grün, wenn das Gerät eingeschaltet ist.

SCHLAFMODUSDURCHAPC

TDas Gerät ist mit dem APC-System von KITE ausgestattet (Angle Power Control). Ohne den Schalter umzulegen, versetzt es die stabilisierende Elektronik in den Schlafmodus, wenn das Instrument in Ruheposition ist, und aktiviert die Einheit automatisch wieder, wenn Sie mit der Beobachtung beginnen.

Dies führt zu einer erheblichen Verlängerung der Batteriebensdauer und einer erhöhten Benutzerfreundlichkeit.

- RUHEPOSITION (am Hals hängend oder auf einem Tisch stehend) Das Instrument ist um 60° oder mehr nach oben geneigt.

Die Stabilisierungselektronik geht automatisch in den SCHLAFMODUS über, die Status-LED blinkt rot.

- AKTIVE POSITION (während der Beobachtung) Das Instrument ist um 40° oder mehr nach unten geneigt.

Die Elektronik wird automatisch aktiviert, die Status-LED leuchtet grün.

AUTOMATISCHES AUSSCHALTENDURCHTIMER

Unabhängig von der Position des Instruments (Aktivmodus oder Schlafmodus) schaltet sich das Instrument 90 Minuten nach dem Einschalten vollständig aus. Zu diesem Zeitpunkt erlischt die Status-LED.

Hinweis: Wenn sich das Instrument im SCHLAFMODUS befand und nach 90 Minuten automatisch in den AUS-MODUS wechselte, könnte der Ein-/Aus-Schalter immer noch in der EIN-Position sein. Um das Instrument wieder zu aktivieren, schalten Sie den Ein-/Aus-Schalter auf AUS und wieder auf EIN. Der 90-Minuten-Zyklus beginnt erneut.

VERWENDUNG DES GERÄTS OHNE STROM

Abgesehen von Ein- und Ausschalten fungiert der Ein-/Aus-Schalter auch als physische Verriegelung für das interne Kardangelenk. Wenn das Gerät in den SCHLAFMODUS wechselt, während der Ein-/Aus-Schalter noch in der EIN-Position ist, wird das interne Kardangelensystem nicht mehr aktiv mit Strom versorgt, bewegt sich jedoch frei. Diese freie Bewegung ist beim Schütteln der Ferngläser zu spüren oder beim Blick durch die Ferngläser als sehr instabiles und schüttelndes Bild zu sehen. Ebenso führt das Umschalten des Ein-/Aus-Schalters in die EIN-Position, wenn keine Batterien eingelegt sind oder die Batterie leer ist, dazu, dass das Kardangelensystem entsperrt wird und sich frei bewegen kann. Das ist normal. Sie können das Gerät perfekt als konventionelles Fernglas verwenden, wenn keine Batterie eingelegt ist oder die Batterie leer ist. Denken Sie jedoch daran, den Ein-/Aus-Schalter in die AUS-Position zu setzen, damit das Kardangelenk verriegelt ist.

ERSTE VERWENDUNG

- A. Befestigen Sie den Nackenriemen an beiden Seiten am Durchlass für den Nackenriemen.
Handriemen befestigen Nackenriemen befestigen



- B. Für die Verwendung mit Brillen drehen Sie die Augenmuscheln nicht hoch. Für die Verwendung ohne Brille drehen Sie die Augenmuscheln im Uhrzeigersinn hoch.
C. Schauen Sie durch das Fernglas und passen Sie den Pupillenabstand an, indem Sie die Okulare ein- oder ausklappen, bis Sie ein schönes und rundes Bild sehen.
D. Passen Sie die Dioptrieneinstellung an. Um eine optimale Bildqualität zu erzielen, muss die möglicherweise unterschiedliche Sehschärfe zwischen dem linken und rechten Auge korrigiert werden.

// Verwendung ohne Brille und gleiche Sehschärfe beider Augen oder mit Brille. Setzen Sie den Dioptrieneinstellung in die mittlere neutrale Position (Ausrichtung der Anzeigen im Dioptrienrad und Gummi).

// Verwendung ohne Brille und unterschiedliche Sehschärfe. Schauen Sie durch das linke Okular mit dem linken Auge und drehen Sie das Fokusrad, um ein ausgewähltes Objekt scharf zu fokussieren. Schauen Sie nun dasselbe Objekt durch das rechte Okular mit dem rechten Auge an und erzeugen Sie erneut ein scharfes Bild dieses Objekts, indem Sie nur den Dioptrieneinstellung drehen. Jetzt ist die dioptrische Korrektur für Ihre spezielle Sehschärfe eingestellt.

BEOBACHTUNG

- A. Schauen Sie durch das Fernglas und beachten Sie die oben genannten Anweisungen für die erste Verwendung.
- B. Je nach Entfernung des beobachteten Objekts passen Sie den Fokus an, indem Sie das Fokusrad drehen.
- C. Aktivieren Sie das Stabilisierungssystem, indem Sie den Ein-/Aus-Schalter in die EIN-Position umlegen. Die Status-LED leuchtet grün.

PFLEGE UND WARTUNG

Hinweis: Vermeiden Sie, dass das Instrument Stößen und Erschütterungen, Staub und Sand ausgesetzt wird.

Reinigung der Linsen: Entfernen Sie immer zuerst große Partikel mit einem weichen Pinsel oder indem Sie sie wegblassen. Große Partikel wie Sand und Salz könnten Kratzer auf der Oberfläche der Linse verursachen. Für eine gründliche Reinigung empfehlen wir, auf die Oberfläche der Linse zu atmen, um einen Kondensationsfilm zu erzeugen, und ihn dann mit einem weichen, feuchten Tuch zu reinigen. Drücken Sie niemals fest auf die Linsen oder üben Sie Kraft beim Abwischen aus. Verwenden Sie keine Flüssigkeiten, die für die Reinigung von Brillen gedacht sind, es sei denn, sie werden für Ferngläser empfohlen. Einige Flüssigkeiten können die Beschichtungen Ihrer Ferngläser beschädigen.

LANGZEITLAGERUNG DES APC - Li-ion MODELLS

Bei längerer Lagerung sollte die Batterie alle sechs Monate einmal aufgeladen werden, um eine Batterieverschlechterung zu verhindern. Die eingebaute wiederaufladbare Batterie entlädt sich natürlich, auch wenn sie aufgeladen und gelagert wird. Bei längerer Lagerung beträgt die empfohlene Ladezeit etwa 50 Minuten. Trennen Sie das Produkt von der Stromquelle, auch wenn die Ladeanzeige noch orange leuchtet.

LAGERUNG

- Bewahren Sie Ihr Gerät in seiner Tasche an einem gut belüfteten Ort auf. Bei Feuchtigkeitskontakt stellen Sie sicher, dass es vor der Lagerung gründlich getrocknet wird. In Regionen mit hoher Luftfeuchtigkeit oder tropischem Klima erwägen Sie die Verwendung eines luftdichten Behälters mit einem Feuchtigkeitsabsorptionsmittel (z. B. Silikagel).
- Vermeiden Sie es, das Gerät übermäßiger Hitze, direktem Sonnenlicht oder Feuer auszusetzen.
- Lagern Sie es nicht in Bereichen mit dramatischen Temperaturänderungen.
- Die Verwendung von beschädigten Kabeln oder Ladegeräten oder das Aufladen in feuchter Umgebung kann zu Stromschlägen, Bränden, Verletzungen oder Geräteschäden führen.
- Versuchen Sie nicht, den wiederaufladbaren Lithium-Ionen-Akku zu entfernen. Kontaktieren Sie uns oder einen autorisierten Händler für Unterstützung.
- Lassen Sie die Batterien nicht lange im Gerät, wenn es nicht verwendet wird. Die Elektrolytlösung in der Batterie kann auslaufen und das Gerät beschädigen.

GARANTIE

30 JAHRE *5 JAHRE AUF ELEKTRONIK

Die Garantiezeit für Ihr Instrument beginnt ab dem Kaufdatum gemäß den folgenden Bedingungen: Bei Herstellungsfehlern oder Materialdefekten, die nicht durch den Benutzer verursacht wurden, übernehmen wir Material- und Arbeitskosten. Wir behalten uns das Recht vor, das Instrument oder das defekte Teil nach eigenem Ermessen zu reparieren oder zu ersetzen. Diese Garantie ist nicht gültig, wenn der Defekt durch unsachgemäße Handhabung des Instruments oder durch Unfälle verursacht wurde. Verschleißteile wie Augenmuscheln, Lederdetails, Panzerung, Trageriemen und Zubehör sind ebenfalls von der Garantie ausgenommen. Gleiches gilt für Oberflächenschäden. In diesem Fall werden dank des ausgezeichneten Kundendienstes von KITE Optics die Kosten für Material und Arbeitskraft auf ein Minimum reduziert.

Es ist unsere Philosophie und Reputation, unseren Kunden den besten verfügbaren Kundendienst in der Welt der Sportoptik zu bieten.

Im Garantiefall oder für Reparaturarbeiten legen Sie das Instrument zusammen mit dieser Karte Ihrem autorisierten KITE Optics-Händler vor.

Ein Instrument ohne diese Karte kann nicht kostenfrei repariert werden. Achtung! Die Garantie ist nicht gültig, wenn das Produkt von einer Person oder einer Reparaturwerkstatt gewartet oder repariert wurde, die nicht von KITE Optics autorisiert ist. Versuchen Sie niemals, das Instrument selbst zu reparieren oder Änderungen daran vorzunehmen.

HINWEIS. Das Gerät ist spritzwasser-, wasser- und staubdicht nach IPX7 unter kontrollierten Laborbedingungen bewertet. Diese Beständigkeit kann im Laufe der Zeit aufgrund von Abnutzung nachlassen, und Schäden durch Flüssigkeiten sind daher nicht garantiert durch die Garantie abgedeckt.

KONFORMITÄT

CE-KENNZEICHNUNG

Das CE-Kennzeichen zeigt die Einhaltung grundlegender EU-Richtlinien an. **CE**

ENTSORGUNG ELEKTRISCHER UND ELEKTRONISCHER GERÄTE

(Für die EU und europäische Länder mit Abfalltrennungspolitik) Entsorgen Sie dieses Gerät, das elektrische/elektronische Komponenten enthält, an einem dafür vorgesehenen Recycling-Sammelpunkt, der von den örtlichen Behörden bereitgestellt wird.

Standard- oder wiederaufladbare Batterien müssen gemäß den örtlichen Vorschriften entfernt und getrennt entsorgt werden.



ES

BINOCULARES ESTABILIZADOS APC

MANUAL Y GARANTÍA.

We thank you for purchasing a KITE OPTICS instrument.

1. Lentes oculares
2. Copas oculares ajustables
3. Anillo de dioptrías
4. Oculares
5. Pasaje para correa de cuello
6. Interruptor de encendido y apagado
7. Rueda de enfoque
8. Lentes objetivas
9. Luz LED de estado
10. Pasaje para correa de mano

CONTENIDO DEL PAQUETE

- Correa para el cuello de neopreno
- Funda suave con correa
- Tapa de protección para lentes oculares
- Tapa de protección para lentes objetivas
- Correa de mano
- Cable de carga USB-C (solo modelo APC - Li-ion)

OBTENGA REPUESTOS

<https://parts.kiteoptics.com>



SEGURIDAD

- Nunca mire directamente al sol o a una fuente de luz intensa con este producto, ya que puede dañar sus ojos.
- Evite utilizar el dispositivo mientras camina para evitar pasar por alto obstáculos.
- Proteja el dispositivo contra impactos.
- No utilice este producto en lugares donde pueda haber gases inflamables o explosivos en el aire, ya que podría causar inflamación o explosión.
- No use ni guarde este producto en lugares de alta temperatura o en un automóvil en pleno verano, cerca de una ventana o junto a un aparato de calefacción.
- No lo deje expuesto a la luz solar directa, ya que la lente puede concentrar los rayos del sol y provocar calentamiento interno del instrumento o un incendio.
- Asegúrese de leer el manual de instrucciones.
- Evite usar el dispositivo cerca de campos magnéticos, electrostáticos o electromagnéticos potentes para evitar interferencias.
- Las reparaciones deben realizarse únicamente en centros de servicio autorizados, y los intentos de desmantelar o modificar el dispositivo pueden causar daños, lesiones o descargas eléctricas.
- Evite exponer el dispositivo a repelentes de insectos o productos químicos agresivos; use solo agentes de limpieza recomendados.
- Mantenga el dispositivo fuera del alcance de los niños pequeños.
- Evite tocar las superficies de vidrio con los dedos, especialmente si se han aplicado cremas para las manos o repelentes de insectos, ya que estas sustancias pueden contener productos químicos perjudiciales para los revestimientos.
- Guarde el número de serie del dispositivo para prevenir pérdidas.

BATTERY INSTRUCTION AND SAFETY

MODELO APC AA:

11. Tapas de la batería
12. Compartimento de batería AA

INSERCIÓN DE LAS BATERÍAS (baterías no incluidas)

Quite las tapas de la batería en el lado izquierdo y derecho girándolas en sentido antihorario. Inserte 1 batería AA en cada lado. El lado '-' debe ir primero. Cierre las tapas de la batería girándolas en sentido horario.

- Siempre use baterías alcalinas o de litio tipo AA. **NO USE BATERÍAS RECARGABLES**, esto anulará la garantía.
- KITE OPTICS recomienda el uso de baterías de litio AA en lugar de baterías alcalinas, para una mejor vida útil de la batería y un bajo riesgo de fuga de la batería.
- Apague siempre el interruptor después de usarlo. Si no va a usar el dispositivo durante un periodo prolongado, retire y guarde la batería.
- En caso de que el líquido filtrado de la batería entre en contacto con sus ojos, lávelos inmediatamente con abundante agua y consulte a un médico. Si entra en contacto con la piel o la ropa, lávelos con agua.
- No deje las baterías en el dispositivo durante mucho tiempo cuando no esté en uso. La solución electrolítica de la batería puede filtrarse, dañando el dispositivo.



LUZ LED DE ESTADO

Al encender, la luz LED de estado le informará sobre la capacidad de la batería:

Verde continuo = 100 % - 30 %
Destello naranja continuo = < 30 % (indicador de batería baja)



MODELO APC - Li-Ion

Fig3

13. Puerto de carga USB-C

Este producto incorpora una batería recargable incorporada que no se puede reemplazar.

Al utilizar este producto, tenga en cuenta las siguientes precauciones: Deje de usarlo si la carcasa exterior está dañada o se sospecha daño en la batería. En tales casos, póngase en contacto de inmediato con nuestro servicio al cliente para mitigar el riesgo de explosión y/o accidentes.

Cargue el dispositivo utilizando el cable USB suministrado y una fuente de alimentación adecuada que cumpla con las regulaciones locales o tenga la aprobación de FCC/CE/IC.

CARGA:

Comience conectando el cable de carga USB al puerto USB-C del dispositivo. Conecte el extremo opuesto del cable a un adaptador de corriente USB adecuado con una entrada mínima de 1.5 A/5 V para tiempos de carga óptimos, o a otra fuente de alimentación externa como un banco de energía. Asegúrese de que la fuente de alimentación cumpla con las normas de seguridad y regulación. Nota: Tenga precaución durante el proceso de carga y siga estas instrucciones diligentemente para garantizar la longevidad y seguridad de su dispositivo.

La luz LED de estado es naranja = cargando

La luz LED de estado es verde = completamente cargado

Para evitar la deterioración de la batería, por favor desconecte el producto del dispositivo de alimentación cuando el LED de estado se vuelva verde.

COMPORTAMIENTO DE CARGA:

Según la experiencia de KITE OPTICS y gracias a las funciones de ahorro de energía de APC:

Batería completamente cargada = 30 horas de energía = hasta 2 meses de uso intensivo de binoculares
hasta 6 meses de uso promedio de binoculares

LUZ LED DE ESTADO

WAI encender, la luz LED de estado le informará sobre la capacidad real de la batería de ion de litio:

3 destellos verdes	= > 80 %
2 destellos verdes	= 80 % - 50 %
1 destello verde	= 50 % - 20 %
Destello naranja continuo	= < 20 % (indicador de batería baja)

DIRECTRICES GENERALES DE SEGURIDAD

- Desconecte el cable de alimentación durante tormentas eléctricas o períodos prolongados de no uso.
- La duración de la batería depende de las condiciones, factores ambientales, funciones y dispositivos conectados.
- Mantenga el dispositivo alejado de fuentes de calor y evite cubrirlo durante la carga.
- Tenga precaución para evitar forzar los conectores en los puertos o aplicar presión excesiva a los botones, ya que esto puede anular la garantía.

Temperatura operativa: -20 a +45 grados Celsius

Temperatura de recarga: 10 a +45 grados Celsius

Temperatura de almacenamiento: -20 a +60 grados Celsius

ENCENDIDO/APAGADO DEL DISPOSITIVO

El dispositivo se enciende colocando el interruptor de encendido en la posición 'I'. El dispositivo se apaga colocando el interruptor de encendido en la posición 'O'. La luz LED de estado será verde cuando el dispositivo esté encendido.

MODOS DE SUSPENSIÓN POR APC

El dispositivo está equipado con el sistema APC de KITE (control de potencia angular). Sin necesidad de cambiar el botón, pondrá los componentes electrónicos de estabilización en modo de suspensión cuando el instrumento esté en posición de descanso, y activará automáticamente la unidad cuando comience a observar nuevamente. Esto resulta en un aumento significativo de la vida útil de la batería y la comodidad de uso.

- POSICIÓN DE DESCANSO (colgado del cuello o de pie sobre una mesa) El instrumento está inclinado a una posición vertical de 60° o más. Los componentes electrónicos de estabilización entran automáticamente en modo de SUSPENSIÓN, la luz LED parpadea en rojo.
- POSICIÓN ACTIVA (durante la observación) El instrumento está inclinado a una posición horizontal de 40° o más. Los componentes electrónicos se activan automáticamente, la luz LED de estado se ilumina en verde.

APAGADO AUTOMÁTICO POR TEMPORIZADOR

Si no importa la posición en que se encuentre el instrumento (modo activo o modo de suspensión), 90 minutos después de colocar el interruptor en la posición ON, el instrumento se apagará completamente nuevamente. En este momento, la luz LED de estado se apagará.

NOTA: Cuando el instrumento estaba en modo de suspensión y entró automáticamente en modo OFF después de 90 minutos, el interruptor de encendido aún puede estar en la posición ON. Para reactivar el instrumento, gire el interruptor de encendido a OFF y luego a ON nuevamente. El ciclo de 90 minutos comienza de nuevo.

USO DEL DISPOSITIVO SIN ENERGÍA

Además de encender y apagar, el interruptor de encendido también actúa como un bloqueo físico para el cardán interno.

Cuando el dispositivo entra en modo de SUSPENSIÓN mientras el interruptor de encendido aún está en la posición ON, el sistema de cardán interno ya no está alimentado activamente pero se moverá libremente. Este movimiento libre se puede sentir al agitar los binoculares o verlo al mirar a través de ellos como una imagen muy inestable y temblorosa. De la misma manera, colocar el interruptor de encendido en la posición ON cuando no hay baterías colocadas o con una batería descargada hará que el sistema de cardán esté desbloqueado y se mueva libremente.

Esto es normal. Puede usar perfectamente el dispositivo como unos binoculares convencionales cuando no hay batería colocada o cuando la batería está descargada, solo tenga en cuenta poner el interruptor de encendido en la posición OFF para que el cardán esté bloqueado.

PRIMER USO

- A. Coloque la correa para el cuello en el pasaje de la correa para el cuello en ambos lados.

Adjunte una correa para la mano

Adjunte una correa para el cuello.



- B. Para usar mientras usa gafas, no gire las copas oculares. Para usar sin gafas, gire las copas oculares girándolas en sentido antihorario.
C. Mire a través de los binoculares y ajuste la distancia interpupilar plegando los oculares hacia adentro o hacia afuera, hasta que vea una imagen bonita y redonda.
D. Ajuste la configuración de dioptrías. Para lograr una calidad de imagen óptima, la agudeza visual posiblemente variable entre el ojo izquierdo y derecho debe corregirse.

// Uso sin gafas y agudeza visual igual en ambos ojos, o con gafas. Coloque el anillo de dioptrías en la posición neutra central. (alineación de indicaciones en la rueda de dioptrías y goma).

// Uso sin gafas y agudeza visual variable. Mire a través del ocular izquierdo con el ojo izquierdo y gire la rueda de enfoque para enfocar nítidamente un objeto seleccionado. Ahora mire ese mismo objeto a través del ocular derecho con el ojo derecho y vuelva a crear una imagen nítida de este objeto girando solo el anillo de dioptrías. Ahora la corrección dióptrica se ha establecido para su agudeza visual particular.

OBSERVACIÓN

- A. Mire a través de los binoculares, teniendo en cuenta las instrucciones anteriores para el primer uso.
- B. Dependiendo de la distancia del objeto observado, ajuste el enfoque girando la rueda de enfoque.
- C. Active el sistema de estabilización girando el interruptor de encendido a la posición ON. La luz LED de estado se vuelve verde.

CUIDADO Y MANTENIMIENTO

Nota: Evite que el instrumento esté expuesto a golpes y sacudidas, polvo y arena.

Limpieza de las lentes: Siempre retire primero las partículas grandes, usando un cepillo suave o soplando. Las partículas grandes como arena y sal podrían causar arañazos en la superficie de la lente durante la limpieza. Para una limpieza a fondo, recomendamos respirar sobre la superficie de la lente para formar una capa de condensación y luego limpiarla con un paño suave y húmedo. Nunca presione con fuerza ni use fuerza al limpiar las lentes. Le recomendamos no usar líquidos destinados a la limpieza de gafas, a menos que estén recomendados para binoculares. Algunos líquidos pueden dañar los revestimientos de sus binoculares.

ALMACENAMIENTO A LARGO PLAZO DEL MODELO APC - Li-ion

Cuando se almacene durante mucho tiempo, para evitar la deterioración de la batería, por favor cargue la batería una vez cada seis meses. La batería recargable incorporada se descargará naturalmente incluso si está cargada y almacenada. Cuando se almacene durante mucho tiempo, el tiempo de carga recomendado es de aproximadamente 50 minutos. Desconecte el producto de la fuente de alimentación incluso si el indicador de carga todavía está naranja.

ALMACENAMIENTO

- Mantenga su dispositivo guardado en su funda en un área bien ventilada. En caso de exposición a la humedad, asegúrese de secarlo completamente antes de guardarlo. En entornos de alta humedad o tropicales, considere el uso de un recipiente hermético con un agente absorbente de humedad (por ejemplo, gel de sílice).
- Evite exponer el dispositivo a calor excesivo, como luz solar directa o fuego. -Evite almacenar en áreas con cambios dramáticos de temperatura.
- El uso de cables o cargadores dañados, o cargar en entornos húmedos, puede resultar en descargas eléctricas, incendios, lesiones o daños al equipo.
- Absténgase de intentar quitar la batería de ion de litio recargable; contáctenos o a un distribuidor autorizado para obtener asistencia.
- No deje las baterías en el dispositivo durante mucho tiempo cuando no esté en uso.
La solución electrolítica de la batería puede filtrarse, dañando el dispositivo.

GARANTÍA **30 AÑOS * 5 AÑOS EN ELECTRÓNICA**

El período de garantía de su instrumento comienza en la fecha de compra de acuerdo con las siguientes condiciones: En caso de defectos de fabricación o defectos en el material no causados por el usuario, asumimos los costos de material y mano de obra. Nos reservamos el derecho de reparar o reemplazar el instrumento o la parte defectuosa a nuestra discreción. Esta garantía no es válida cuando el defecto ha sido causado por un manejo incorrecto del instrumento o en caso de accidentes. Partes desgastadas como oculares, detalles de cuero, blindaje, correas de transporte y accesorios también están exentas de la garantía. Lo mismo se aplica a los daños superficiales. En ese caso, gracias al excelente servicio posventa de KITE Optics, los costos de materiales y mano de obra se reducirán al mínimo. Está en nuestra filosofía y reputación ofrecer a nuestros clientes el mejor servicio posventa disponible en el mundo de la óptica deportiva. En caso de garantía o reparación, presente el instrumento junto con esta tarjeta a su distribuidor autorizado de KITE Optics. Un instrumento enviado sin esta tarjeta no se reparará sin costo. ¡Advertencial La garantía no es válida cuando el producto ha sido reparado por una persona o tienda de reparación no autorizada por KITE Optics. Nunca intente reparar o realizar modificaciones en el instrumento usted mismo. **NOTA.** El dispositivo es resistente a salpicaduras, agua y polvo, con clasificación IPX7 en condiciones de laboratorio controladas. Esta resistencia puede disminuir con el tiempo debido al desgaste y daño causado por líquidos, por lo tanto, no se garantiza que esté cubierto por la garantía.

COMPLIANCE

MARCA CE

La marca CE significa cumplimiento con las directrices fundamentales



ELIMINACIÓN DE EQUIPOS ELÉCTRICOS Y ELECTRÓNICOS

(Para la UE y países europeos con políticas de separación de residuos) Deseche este dispositivo, que contiene componentes eléctricos/electrónicos, en un punto de recogida de reciclaje designado por las autoridades locales.

Las baterías estándar o recargables deben retirarse y desecharse por separado de acuerdo con las regulaciones locales.








KITE OPTICS®

Vlamingveld 89
8490 Jabbeke
Belgium
T +32 50 69 23 19
www.kiteoptics.com
info@kiteoptics.com